

KEY FEATURES

- U Bracket Switching Power Supply
- Universal Input: 90-264 VAC
- Single Output
- 5 VDC to 48 VDC Output
- 3-Year Product Warranty



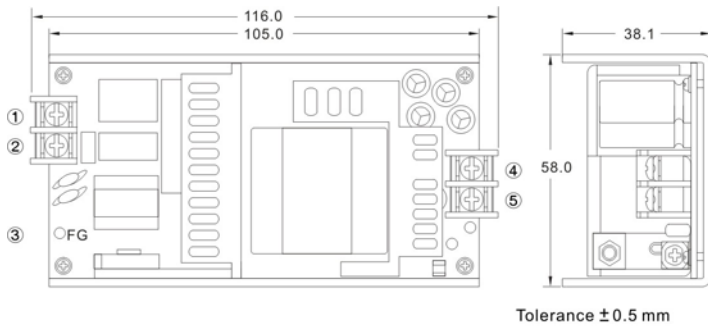
ELECTRICAL SPECIFICATIONS

All specifications valid at normal input voltage, full load and +25°C after warm-up time unless otherwise stated.

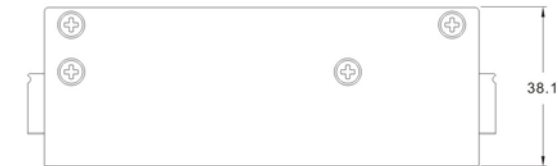
Model No.	AES60U-5S	AES60U-9S	AES60U-12S	AES60U-15S	AES60U-24S	AES60U-48S	
Max Output Wattage (W)	50W	60W	60W	60W	60W	60W	
Input	Voltage						90-264 VAC or 120-370 VDC
	Frequency (Hz)						47-63 Hz
	Current (Full load)						2 A max. (115 VAC) / 1 A max. (230 VAC)
	Inrush Current (<2ms)						30 A max. (115 VAC) / 50 A max. (230 VAC)
	Leakage Current						0.5 mA max.
Output	Voltage (V.DC.)						5V 9V 12V 15V 24V 48V
	Voltage Accuracy						±2%
	Current (mA) max						10,000 6,660 5,000 4,000 2,500 1,250
	Line Regulation (LL-HL) (typ.)						±1%
	Load Regulation (5-100%) (typ.)						±1%
	Minimum Load						1%
	Maximum Capacitive Load (at 230VAC)						470-23,000µF depending on model
	Ripple						<0.2% Vout +40mV max (Vp-p)
	Noise						<0.5% Vout +50mV max (Vp-p)
	Efficiency (at 230V)						82% 84% 86% 86% 86% 86%
	Trim						±10%
Hold-up Time						10 ms min.	
Protection	Over Power Protection						Auto recovery
	Over Voltage Protection						Zener diode clamp
	Short Circuit Protection						Auto recovery
Isolation	Input-Output (V.AC)						3000VAC or 4242VDC
	Input-FG (V.AC)						1500V
	Output-FG (V.AC)						500V
Environment	Operating Temperature						-40°C...+70°C (with derating)
	Storage Temperature						-50°C...+85°C
	Temperature coefficient						±0.02%/°C
	Humidity						95% RH
	MTBF						>130,000 h @ 25°C (MIL-HDBK-217F)
Physical	Vibration						10~500Hz, 2G 10min./1cycle, 60min. each along X, Y, Z axes.
	Dimension (L x W x H)						4.13 x 2.28 x 1.5 Inches (105.0 x 58.0 x 38.1 mm) Tolerance ±0.5 mm
	Weight						240 g
Safety	Cooling Method						Free air convection
	Agency Approvals						CE, UL60950
EMC	EMI (Conducted & Radiated Emission)						EN 55022 class B
	EMS (Noise Immunity)						EN 55024

NOTE

1. Ripple & Noise are measured at 20MHz of bandwidth with 0.1uF & 47uF parallel capacitor.
2. Strongly recommend to conduct this test with DC Voltage. If customer wishes to test with AC Voltage, please disconnect all Y-Capacitors within Arch power supply.

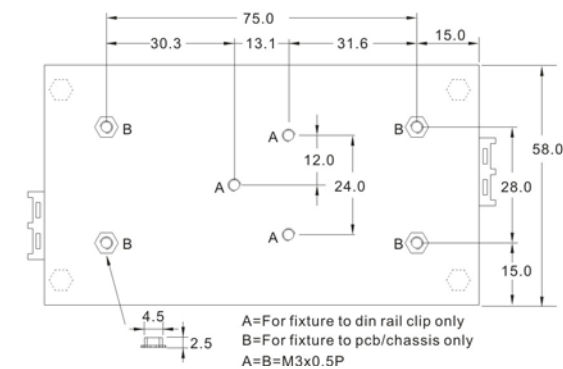
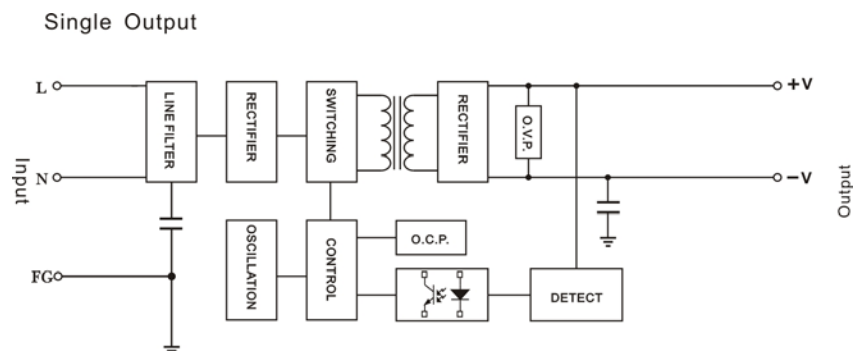
MECHANICAL DIMENSION (Top View)


PIN#	Single
1	AC IN (N)
2	AC IN (L)
3	FG
4	+DC OUT
5	-DC OUT


ASSEMBLY INSTRUCTIONS

*U Case T=2.5mm

Customer is advised to screw into the threads no more than 2.5mm


BLOCK DIAGRAM

DERATING
