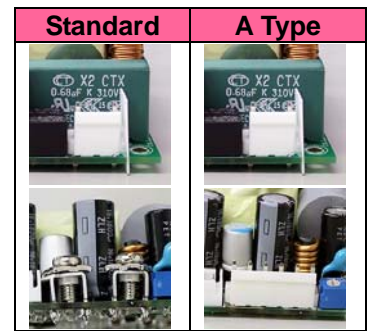


KEY FEATURES

- Enclosed Medical Switching Power Supply
- 4000VAC Input to Output 2MOPP Insulation
- High Efficiency up to 93%
- With P.F.C. Function >0.9
- <0.5W No Load Input Power
- EMI for Both Class I (with PE) and Class II (without PE) Configuration
- Suitable for BF Application with Appropriate System Consideration
- UL / IEC / EN 60601 3.1 Edition & UL / IEC / EN 60950 AM2 Safety Approvals
- 3-Year Product Warranty



(In Progress) (In Progress)

ELECTRICAL SPECIFICATIONS

All specifications valid at normal input voltage, full load and +25°C after warm-up time unless otherwise stated.

Model No.	MQF240E-12S	MQF240E-15S	MQF240E-24S	MQF240E-48S	
Max Output Wattage (with 10CFM FAN) (W)	240 W				
Input	Voltage (Note 5)	90-264 VAC			
	Frequency (Hz)	47-63 Hz			
	Current (Full load)	< 3.0 A max. (115 VAC) / < 1.5 A max. (230 VAC)			
	Inrush Current (<2ms)	< 45 A max. (115 VAC) / < 90 A max. (230 VAC)			
	Leakage Current	< 0.1mA / 264 VAC (Touch Current)			
	Power Factor	PF>0.9 at Full Load			
Output	Voltage (V.DC.)	12V	15 V	24V	48V
	Voltage Adj Range (V.DC.)	±4% Output Voltage			
	Voltage Accuracy	±2%			
	Current (A) (max.)	20	16	10	5
	Line Regulation	±1%			
	Load Regulation (0-100%)	±1%			
	Minimum Load	0%			
	Maximum Capacitive Load	8000µF	2000µF	3000µF	470µF
	Ripple & Noise (max.) (Note 2)	1% Vout			
	Efficiency (at 230VAC) (Note 7)	92%	92%	92.5%	93%
Hold-up Time (at 115 VAC) (Note 6)	10 ms min.				
Protection	Over Power Protection	Auto recovery, Hiccup mode			
	Over Voltage Protection	Auto recovery			
	Overt Temperature Protection	Auto recovery			
	Short Circuit Protection	Auto recovery, Hiccup mode			
Isolation	Input-Output (Note 6)	4000VAC or 5656VDC			
	Input-PE (Note 6)	2000VAC or 2828VDC			
	Output-PE (Note 6)	1500VAC or 2121VDC			
Environment	Operating Temperature	-30°C...+70°C (with derating)			
	Storage Temperature	-30°C...+85°C			
	Temperature Coefficient	±0.05%/°C			
	Altitude During Operation	5000m			
	Humidity	20~90% RH			
	Atmospheric Pressure	56 kPa to 106 kPa			
	MTBF	>250,000 h @ 25°C (MIL-HDBK-217F, Notice 1)			
Vibration	10~500Hz, 2G 10min./1cycle, 60min. each along X, Y, Z axes.				

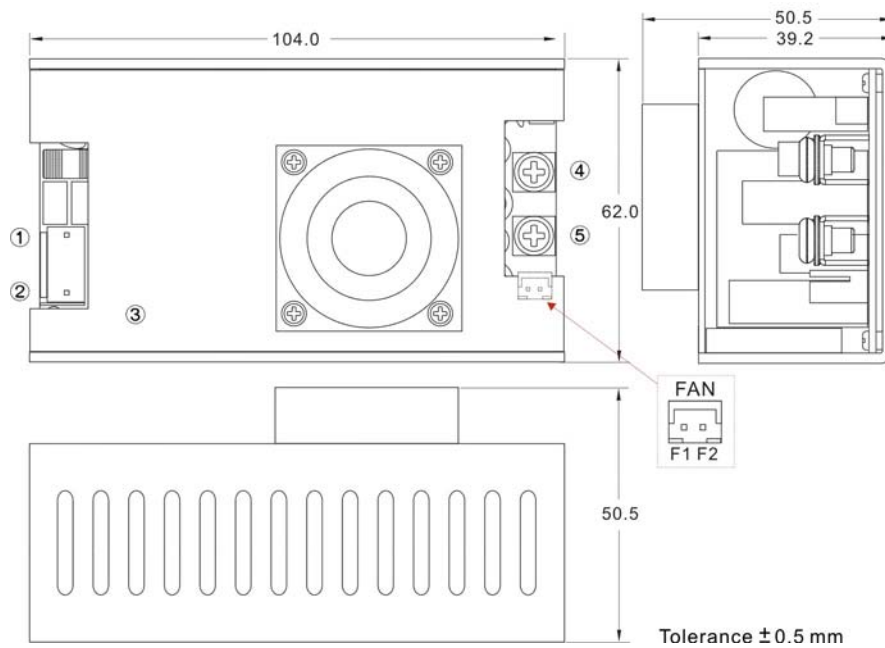
ELECTRICAL SPECIFICATIONS

All specifications valid at normal input voltage, full load and +25°C after warm-up time unless otherwise stated.

Model No.		MQF240E-12S	MQF240E-15S	MQF240E-24S	MQF240E-48S
Physical	Dimension (L x W x H)	4.1 x 2.44 x 1.99 Inches (104.0 x 62.0 x 50.5 mm) Tolerance ±0.5 mm			
	Weight	328 g			
	Cooling Method	Free convection			
Safety	Approval	UL / IEC / EN 60601 3.1 rd Edition & UL / IEC / EN 60950 AM2			
EMC	Conducted EMI (Note 8)	EN55032 Conducted & Radiated Class B			
	Radiated EMI (Note 8)	EN55032 Class I class B / Class II class A (In Progress)			
	ESD	EN61000-4-2 air ± 8kV , Contact ± 4Kv (In Progress)			
	Radiated Immunity	EN61000-4-3 10V/m (In Progress)			
	Fast Transient	EN61000-4-4 ± 2kV (In Progress)			
	Surge	EN61000-4-5 ±1kV (In Progress)			
	Conducted Immunity	EN61000-4-6 10Vrms (In Progress)			
	PFMF	EN61000-4-8 30A/m (In Progress)			
	Dips	EN61000-4-11 30% 10ms (In Progress)			
	Interruption	EN61000-4-11 >95% 5000ms (In Progress)			

NOTE

- This product is not designed for use in critical life support systems, equipment used in hazardous environment, nuclear control systems or other such applications which necessitate specific safety and regulatory standards other the ones listed in this datasheet.**
- Ripple & Noise are measured at 20MHz of bandwidth with 0.1uF & 47uF parallel capacitor.
- Hold-up Time measured at 90% Vout.
- Main Vout must be >50% Load, 12V (Aux) / 0.5A.
- Please check the derating curve for more details.
- Strongly recommend to conduct this test with DC Voltage. If customer wishes to test with AC Voltage, please disconnect all Y-Capacitors within Arch power supply.
- After 30 minutes of burn-in
- Please secure the power supply unit to your metal case by using the four screw holes in the corners for either Class I or Class II equipment

MECHANICAL DIMENSION (Top View)
Standard


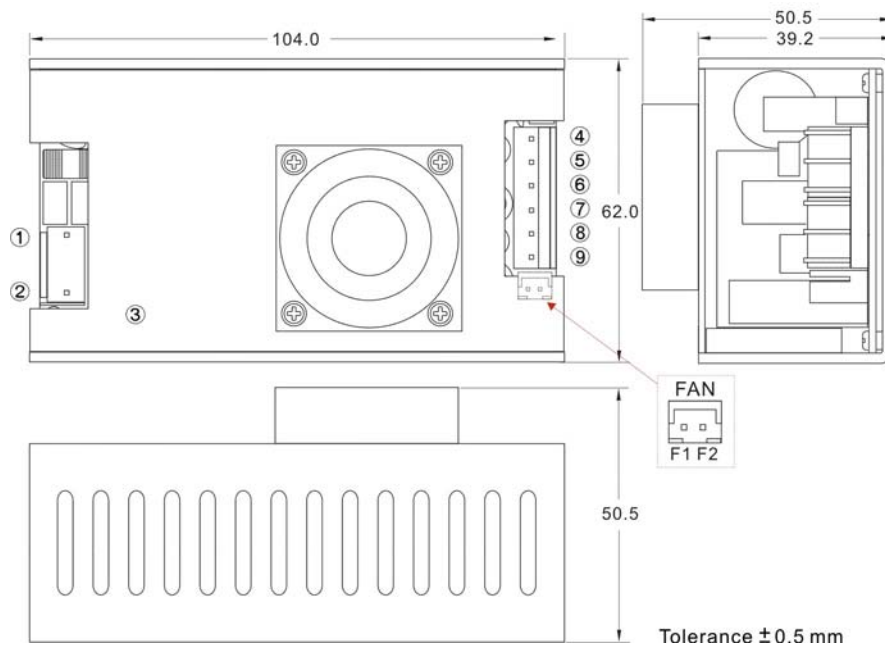
PIN#	Single
1	AC IN (N)
2	AC IN (L)
3	PE
4	+DC OUT
5	-DC OUT

Connector Pin (FAN)	
PIN#	Single
F1	+AUX OUT
F2	-AUX OUT

ASSEMBLY INSTRUCTIONS

*U Case T=2.5mm

Customer is advised to screw into the threads no more than 2.5mm

A Type


PIN#	Single
1	AC IN (N)
2	AC IN (L)
3	PE
4-6	+DC OUT
7-9	-DC OUT

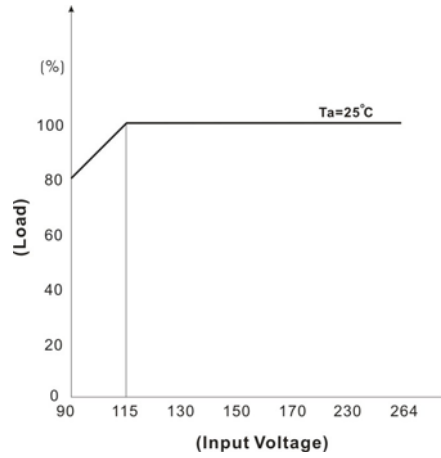
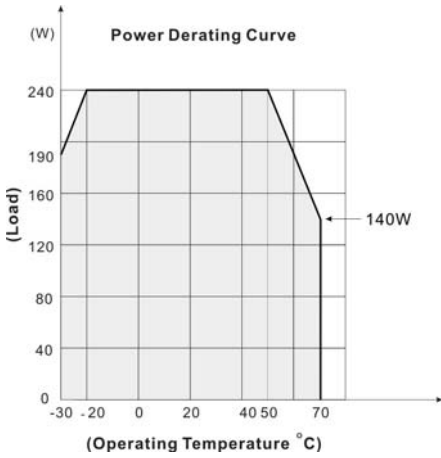
Connector Pin (FAN)	
PIN#	Single
F1	+AUX OUT
F2	-AUX OUT

ASSEMBLY INSTRUCTIONS

*U Case T=2.5mm

Customer is advised to screw into the threads no more than 2.5mm

DERATING



BLOCK DIAGRAM

Single Output

